

DEVELOPED FOR AVIATION AND INDUSTRY APPLICATIONS

The Vertical Filter Housing (VFH) assembly provides two element options to meet the requirements in the aviation fuel filtration industry: Coalescer/Separator and Microfilter (Pre-filter).

Coalescer/Separator Element

The coalescer/separator system consists of two elements to generate a two stage separation process. A coalescer/ separator element is to be used to remove free water and fine solids, like rust, dirt and other contaminants from aviation fuels. The system is qualified to specification EI 1581 7th Edition.

Microfilter

A single stage element to remove fine solids down to one micron from aviation fuels. When contaminated fuel enters the vessel, fine solids are removed, providing clean fuel to engines or equipment. The microfilter is qualified to specification EI 1590 3rd Edition. Micron rating available: 1 & 5 μm .



APPLICATION AREA

- For use with JET Fuel, AVGAS and MoGas

TECHNICAL DATA

- Design pressure (housing): 10 bar (150 psi)
- Flow rates: Up to 177 lpm (46 USgpm)

STANDARD DESIGN

- Material: Die-casting aluminum head, steel filter bowl
- Components: Powder coated components
- Cover seal: NBR (Buna-N)
- In-/Outlet port: G 1 1/2"
- Locking ring collar
- Manual vent valve
- Manual drain valve

RECOMMENDED ACCESSORIES

- Differential pressure gauge (with scale)
- Mounting bracket

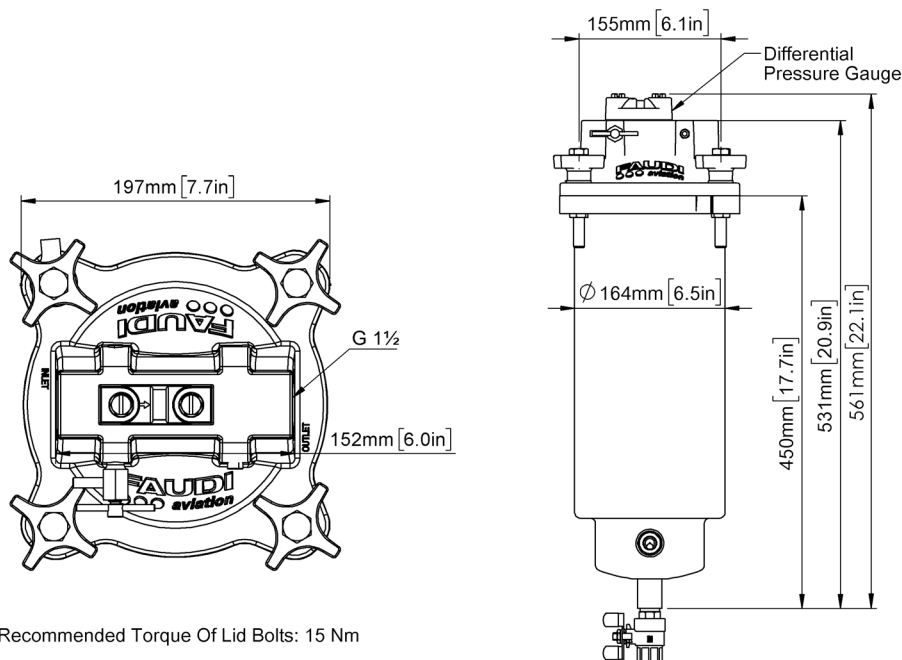
ORDER REFERENCE

Assembly	Item No.
VFH-1-355 (14")	3013853

Micron Rating	Filter Element		Change Out Differential Pressure	Flow Rates		
	Coalescer/Separator	Microfilter		lpm	USgpm	
(μm)	Type	Category	Type	bar (psi)		
1	CS6-355-1	C, Type S		1,0 bar (15 psi)	110	29
1	CS6-355-1	C, Type S-LW		1,0 bar (15 psi)	136	35
1	MCS6-355-1	M, Type S		1,0 bar (15 psi)	90	23
1			EIMF6.01C1-355-1	1,5 bar (22 psi)	177	46
5			EIMF6.01C1-355-5	1,5 bar (22 psi)	177	46

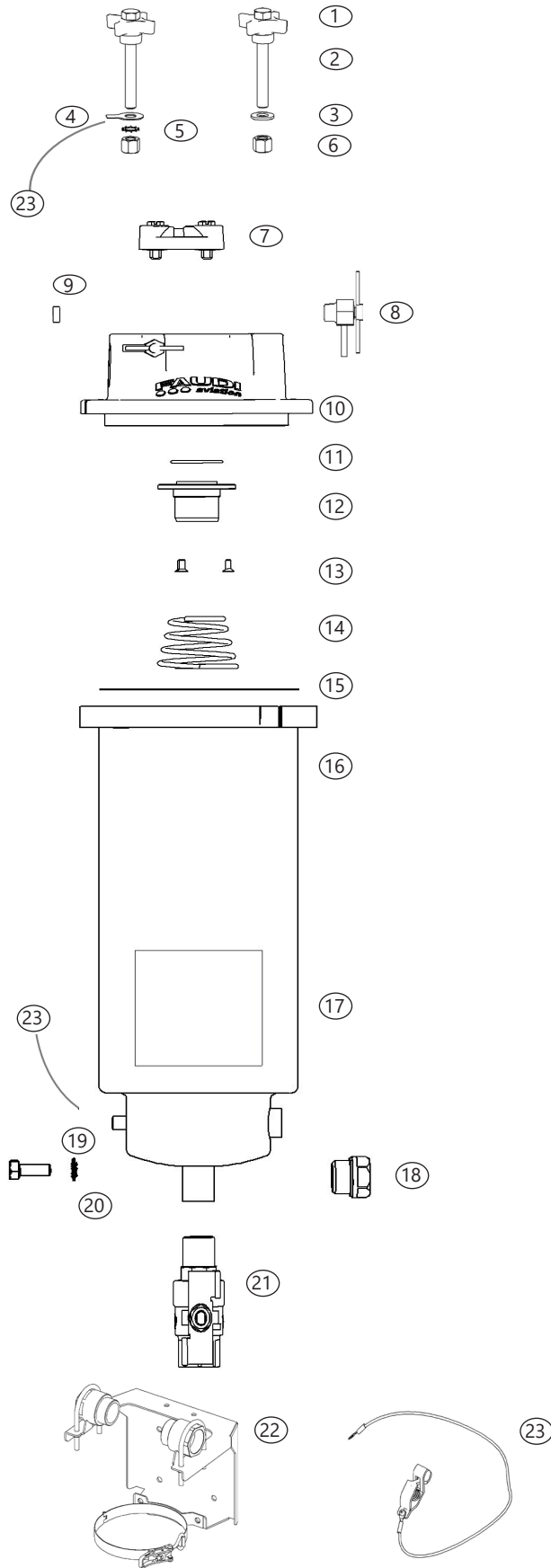
Please note: For Non-EI, AVGAS and MoGas applications, please contact our Customer Sales Support.

DIMENSIONS



Recommended Torque Of Lid Bolts: 15 Nm

Vertical Filter Housing (VFH) VFH-SERIES



No.	Item No.	Description
1	3013070	M12 Hand Knob M12
2	3006296	M12 Hexagon Bolt
3	3013347	Washer DIN522
4	9166828	Safety Plate Din93
5	3007785	Lock Washer
6	2004563	M12 Hexagon Nut (Teflon®)

7*	3013459	dP Gauge 444-15 MID-W
	Options on request	dP Gauge (EI compliant)
8	3013142	Mini-Ball Valve G1/8" SS
	3014653	Threaded Hose Nozzle R 1/8"
9	9154428	Plug G 1/8"
10	3013058	VFH Head
11	3013256	O-Ring NBR (Buna-N)
12	3013074	Cartridge Spigot
13	3013257	Flat-head Screw A2
14	3013346	Conical Spring

Coalescer/Separator		Microfilter	
Description	Item No.	Description	Item No.
CS6-355-1	3003984		
MCS6-355-1	3004507		
		EIMF6.01C1-355-1	3012219
		EIMF6.01C1-355-5	3012220

15	3013661	O-Ring NBR (Buna-N)
16	3013055	VFH-Housing
17	3013602	Nameplate Vessel
18	3013585	Sight Glass G1/2"
19	3013481	Hexagon Bolt
20	3013480	Circlip
21	3013369	Ball Valve (Connection Size: 1/2")

22*	3013392	Mounting Bracket with two G1 ¹ / ₂ " Fittings
23	3013887	Grounding Cable

*Optional Accessories