

## QUALIFIED TO SPECIFICATION EI 1590 3RD EDITION

Microfilters are used as pre-filters for the efficient and continuous removal of solids such as rust, sand and other particulates from aviation fuels. FAUDI Aviation microfilters are used in refineries, terminals and airport depots, primarily as pre-filters to lengthen the service life of downstream coalescer elements in filter/ water separators. FAUDI Aviation microfilters are highly efficient and thus cost effective due to their large filter surfaces area. Microfilters are suitable for filtration of AVGAS.



## APPLICATION AREA

---

- Airports
- Transfer stations
- Bulk fuel depots
- Refineries
- General Aviation

## TECHNICAL DATA

---

- Nominal filtration: According to EI 1590 3rd Edition
- Flow direction: Out-to-in
- Change-out differential pressure: 1.5 bar (22 psi)
- Maximum pressure differential rating: 5.2 bar (75 psi)
- Service time (max.): 5 years<sup>1)</sup>
- Storage time (max.): 5 years<sup>1)2)</sup>
- Operating temperature: Min. -30°C (-22°F) / Max. 80°C (176°F)

<sup>1)</sup> Manufacturer recommendation

<sup>2)</sup> Manufacturer recommendation: 20°C and max. 50% humidity after date of shipment out of stock of FAUDI Aviation GmbH

## **STANDARD DESIGN**

---

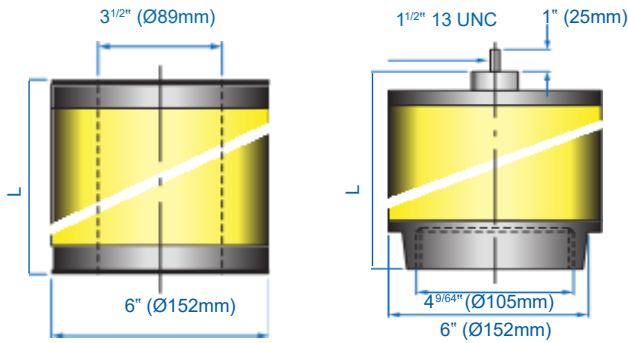
- Outside diameter: 152 mm (6 inch)
- Center tube: Epoxy coated steel
- Gaskets: NBR (Buna-N)
- End caps: Polyamid, reinforced glass fibre/ Epoxy coated steel
- Labeling on end caps: According to EI specification
- Protective outer wrap

**ELEMENT CODE**

**EIMF1.4-727**

Energy Institute  
Element Type  
Nominal Filtration in micron (µm)

Nominal Length in mm  
End Cap Design



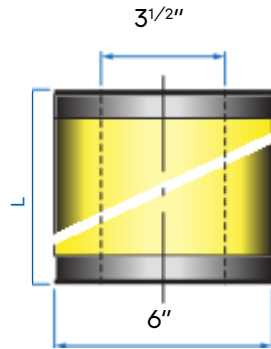
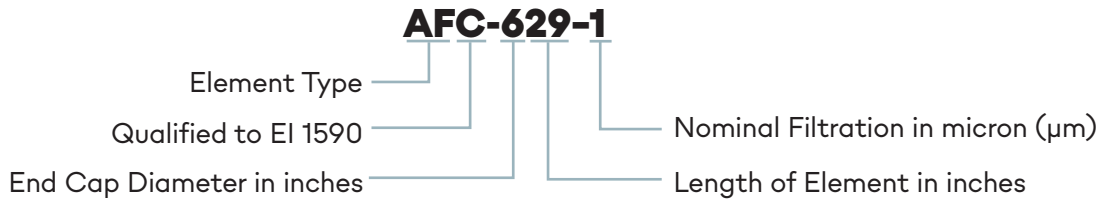
End Cap Design 4

End Cap Design 7

**ELEMENT SELECTION**

Nominal Filtration	Flat Sealed (Open End)					Screw/Threaded Base				
	Nominal Length L		End Cap Design	Max. Flow Rate		Nominal Length L		End Cap Design	Max. Flow Rate	
	µm	mm	inch	1	lpm	USgpm	mm	inch	7	lpm
1	362	14	EIMF1.4-362	205	54	362	14	EIMF1.7-362	170	44
1	559	22	EIMF1.4-559	323	85	593	23	EIMF1.7-559	300	79
1	727	29	EIMF1.4-727	424	112	761	30	EIMF1.7-727	383	101
1	1111	44	EIMF1.4-1130	655	173	1117	44	EIMF1.7-1130	630	166
2	362	14	EIMF2.4-362	205	54					
2	559	22	EIMF2.4-559	323	85					
2	727	29	EIMF2.4-727	424	112	761	30	EIMF2.7-727	383	101
2	1111	44	EIMF2.4-1130	655	173	1117	44	EIMF2.7-1130	630	166
3	362	14	EIMF3.4-362	205	54	362	14	EIMF3.7-362	170	44
3	727	29	EIMF3.4-727	424	112					
3	1111	44	EIMF3.4-1130	655	173	1117	44	EIMF3.7-1130	630	166
5	362	14	EIMF5.4-362	205	54	362	14	EIMF5.7-362	170	44

**ELEMENT CODE USA**



**ELEMENT SELECTION USA**

Nominal Filtration ( $\mu\text{m}$ )	Nominal Length L (inches)	Flat Endcap	Max. Flow Rate (USgpm)
1	29	ACF-629-1	112
1	44	ACF-644-1	173
2	29	ACF-629-2	112
2	44	ACF-644-2	173
3	14	ACF-614-3	55
3	29	ACF-629-3	112
3	44	ACF-644-3	173